

SPECIFICATIONS

Performance

	TA3	TA3h	TA3s	TA3sh
Payload lb (kg)	6610 (3000)		6610 (3000)	
Unladen Weight (kg)	4982 (2260)		5622 (2550)	
Skip Capacity - Water ft ³ (ltr)	1.63 (1250)		1.31 (1000)	
Struck yd (ltr)	2.09 (1600)		1.96 (1500)	
Heaped yd ³ (ltr)	2.55 (1950)		2.45 (1870)	
Engine	Kubota V2203M		Kubota V2203M	
Gross Power hp (kW)	43.2 (32.4)		43.2 (32.4)	
Displacement	134 in ³ (2197 cc)		134 in ³ (2197 cc)	
Maximum Torque	107 lbf - ft (145 Nm)		107 lbf - ft (145 Nm)	
Tire Size	11.5/80 x 15.3 x 8 ply		11.5/80 x 15.3 x 8 ply	
Drive	3/1 Manual - permanent 4WD	2/2 Hydrostatic Drive	3/1 Manual - permanent 4WD	2/2 Hydrostatic Drive
Max Travel Speed - mph (kph)	11.8 (19.0)		11.8 (19.0)	
Gradeability	25 %		25 %	
Fuel Tank Capacity	9.77 gals (37 Liters)		9.77 gals (37 Liters)	
Hydraulic Tank Capacity	9.77 gals (37 Liters)		9.77 gals (37 Liters)	

Hydraulic System (Gear Pump)

	TA3	TA3h	TA3s	TA3sh
Flow rate	7.93 gpm (30 l/min)		7.93 gpm (30 l/min)	
Operating Pressure	2495 psi (172 bar)		2495 psi (172 bar)	

Brake System

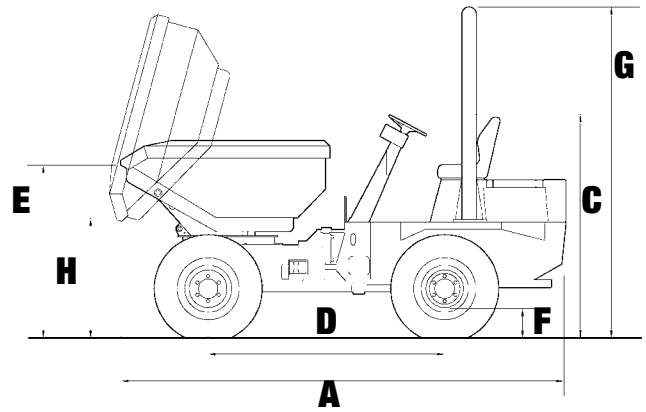
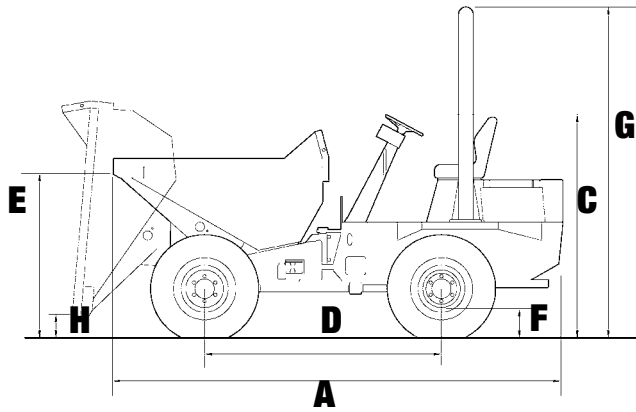
	TA3	TA3h	TA3s	TA3sh
Working Brake	Foot Brake - Oil Immersed Discs on Front		Foot Brake - Oil Immersed Discs on Front	
Parking Brake	Over Center Locking - Oil Immersed Disc Front Axle		Over Center Locking - Oil Immersed Disc Front Axle	

Electrical System

	TA3	TA3h	TA3s	TA3sh
Voltage	12V		12V	
Battery	74 Ah		74 Ah	
Alternator	55 A		55 A	

TA3 - TA3h - TA3s - TA3sh

B = Overall Width (not shown)



Performance

		TA3	TA3h	TA3s	TA3sh
A	Total Length	12.3 ft (3755 mm)		12.6 ft (3850 mm)	
B	Total Width (not shown)	77 in (1950 mm)		73 in (1860 mm)	
C	Height to Top of Steering Wheel	73 in (1860 mm)		73 in (1860 mm)	
D	Wheelbase	77 in (1950 mm)		77 in (1950 mm)	
E	Height to Front Lip of Skip (untipped)	56.3 in (1430 mm)		59.1 in (1500 mm)	
F	Ground Clearance	11.8 in (300 mm)		11.8 in (300 mm)	
G	Height to Top of ROPS (raised)	105.5 in (2680 mm)		105.5 in (2680 mm)	
H	Height to Front Lip of Skip (tipped)	9.8 in (250 mm)		43.3 in (1100 mm)	
	Discharge Height	+/- 30°		+/- 30°	
	Turning Radius to Outside of Skip	14.3 ft (435 mm)		15.3 ft (4665 mm)	
	Steering Angle	+/- 36.5°		+/- 36.5°	
	Oscillation	+/- 10.5°		+/- 10.5°	
	Tipping Type	Forward Tip		Swing Tip	

Standard Equipment

Folding ROPS Frame	Reversing Alarm
Flashing Beacon	Towing Bracket

Optional Equipment

Road Lights (RTA)	Rear View Mirror
Site Lights	Grasslands Tires

WORKS FOR YOU.™