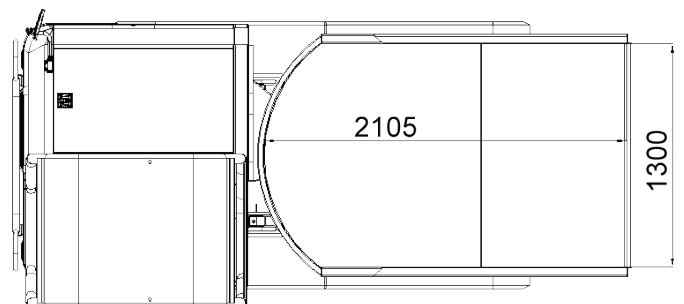
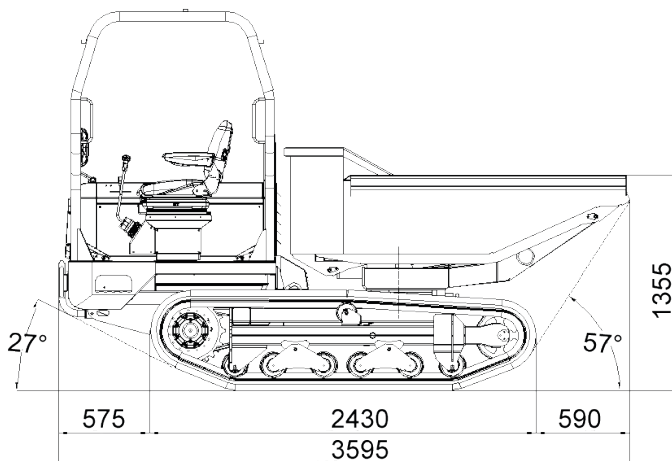
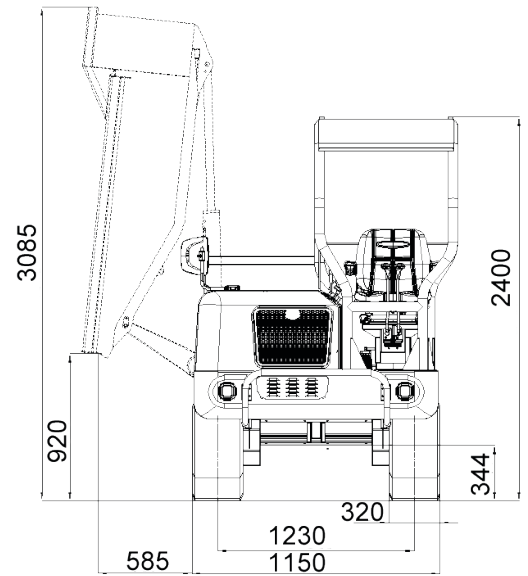


## SPECIFICATIONS

Model	KC250HR-4	
Engine	Make	Kubota
	Model	V2203-M
	Output kW (PS) / rpm	33.4 (45.5) / 2300
	Displacement cc	2197
	Cooling system	Water cooled
Service weight	kg	2700
Max. loading capacity	kg	2500
Skip tipping system	Hydraulic	
Dumping direction	Rotary / 180°	
Dumping height	920	
Transmission	Type	Hydrostatic transmission HST
	Hydraulic pump	2 variable pumps
	Flow (for each pump) ℓ/min	2 x 54
	Hydraulic motors	Radial pistons motors
	Max. pressure bar	350
	Main valve	2
Dimensions	Overall length mm	3595
	Overall height mm	2400
	Overall width mm	1550
Internal skip dimensions	Length mm	2105
	Width mm	1300
	Height mm	494 / 670
	Dumping angle deg	84°
	Heaped volume m <sup>3</sup>	1.49
Undercarriage	Level volume m <sup>3</sup>	1.09
	Ground clearance mm	344
	Tumbler distance mm	1950
	Rubber shoe width mm	320
	Track roller	6
Travelling speed (Forward / Reverse)	1st speed km/h	0 ~ 6
	2nd speed km/h	0 ~ 11
	Max. gradeability	Front 20° / Side 25°
Fuel tank capacity	ℓ	40
Hydraulic oil tank capacity	ℓ	51
Ground pressure	(Unloaded) gr/cm <sup>2</sup>	308
	(Loaded) gr/cm <sup>2</sup>	593

★ The data have been measured on the standard version. Specifications are subject to change without notice.

## DIMENSIONS



★ All image's shown are for brochure purposes only.

When operating the tracked dumper always wear proper PPE clothing and equipment in accordance to local legal and safety regulations.