

nifty



SD120T SELF DRIVE ACCESS PLATFORM



12.65m (41ft 7in)
Working height

6.10m (20ft)
Working outreach

Weight Saving Design
Lower cost transportation &
better fuel economy on site

Telescopic Upper Boom
Greater accuracy when
positioning the platform

Bi-Energy Available
Optimising utilisation

**Fully Proportional
Hydraulic Controls**
Simple, reliable &
easy to maintain

Hydraulic Outriggers
Quick & easy to set up



niftylift.com

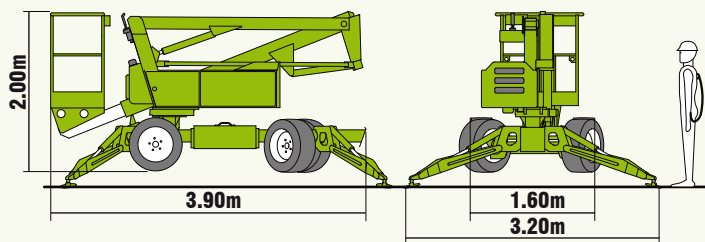
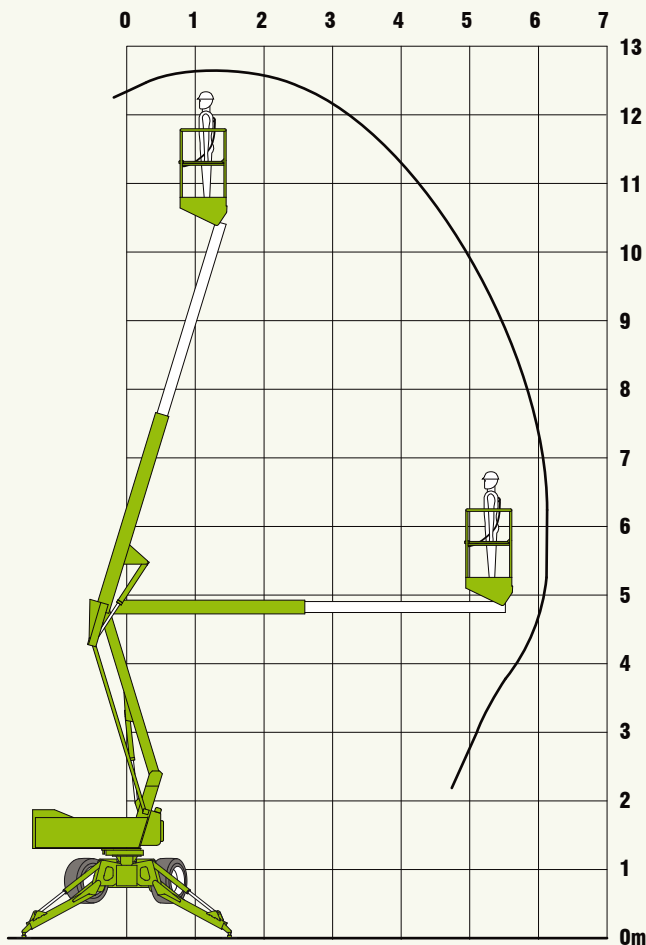
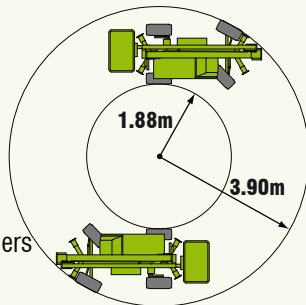


nifty SD120T

The **SD120T** delivers an impressive working envelope and with the advantage of a telescopic upper boom, supreme accuracy when positioning the platform. Hydraulic outriggers and 45% gradeability allow it to be driven and levelled on uneven surfaces making it ideal for environments with rough or softer ground and its low overall weight means better fuel efficiency and lower transportation costs.

SAFETY FEATURES

- Pressure sensitive outriggers with
- Audible & visual alarms
- Dual controls (platform & base)
- Manual descent with hand-pump
- Lock valves on all hydraulic cylinders
- CE Mark



Niftylift's highly effective **Bi-Energy** system increases flexibility and maximises utilisation allowing the **SD120T** to operate for longer and in a wider range of environments.



SPECIFICATIONS

Working Height	12.65m	41ft 7in
Platform Height	10.65m	34ft 11in
Working Outreach	6.10m	20ft
Slew	406°	
Width - Travelling	1.60m	5ft 3in
- Working	3.20m	10ft 6in
Height	2.00m	6ft 7in
Length	3.90m	12ft 10in
Minimum Weight	2260kg*	4980lbs*
Turning Radius - Inside	1.88m	6ft 2in
- Outside	3.90m	12ft 10in
Platform Capacity	200kg	440lbs
Platform Size	1.10m x 0.65m	3ft 7in x 2ft 2in
Drive Speed	4.0kph	2.5mph
Gradeability	45%	
Control System	Fully Proportional Hydraulic	
Power Options	Battery Only Petrol or Diesel Only Bi-Energy (Engine and Battery)	

* Weights may vary according to specification / power options, please confirm before ordering.

Due to a policy of continuing development and improvement, Niftylift reserves the right to change any specification without notice. Please confirm exact specification before ordering.

Supplied by:

**Manufacturers of trailer mounted,
self propelled and vehicle mounted platforms.**

NIFTYLIFT LTD
Fingle Drive
Stonebridge
Milton Keynes
MK13 0ER
England
www.niftylift.com

e-mail: info@niftylift.com
Tel.: +44 (0)1908 223456
Fax.: +44 (0)1908 312733

