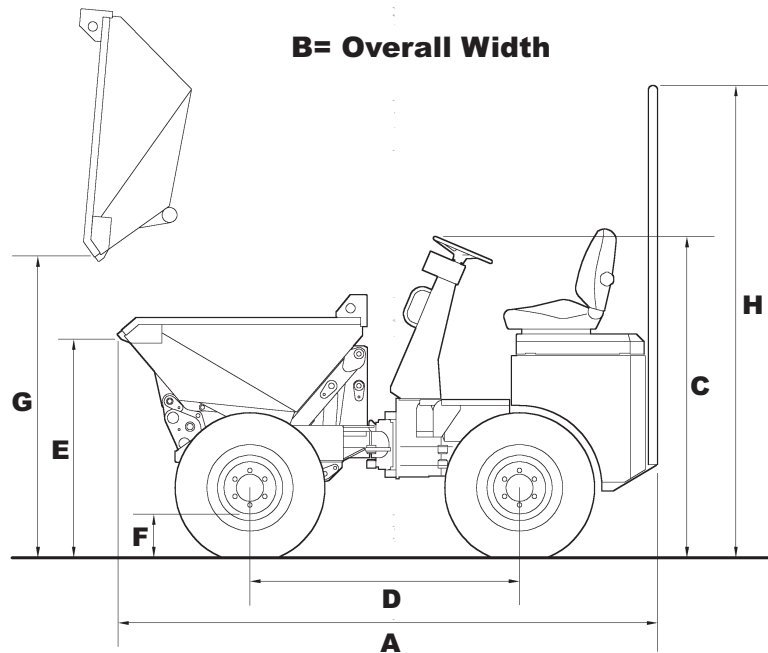


Mini Dumpers



Dimensions (mm)			
	HD850	HD1000	HD1200
A	2959	2959	2959
B	998 / 1120	998 / 1120	1310
C	1745	1745	1745
D	1440	1440	1440
E	1175	1175	1175
F	241	241	241
G	1595	1595	1595
H	2483	2483	2483
Weight Kgs	1410	1440	1485

Engine				
	Engine	k.W.	h.p.	@RPM
HD850	Kubota D905	16.4	22.0	3000
HD1000	Kubota D905	16.4	22.0	3000
HD1200	Kubota D905	16.4	22.0	3000

Skip Capacities				
	Payload Kg	Water Ltr	Struck Ltr	Heaped Ltr
HD850	850	295	391	484
HD1000	1000	338	446	577
HD1200	1200	415	548	725

Transmission			
	HD850	HD1000	HD1200
Tyre Size	700 x 12 10.0/75x15.3	700 x 12 10.0/75x15.3	10.0/75x15.3
Drive	Hydrostatic	Hydrostatic	Hydrostatic
Max KPH	11.0	11.0	11.0